

Includes our
LEAD FREE*
product offering

Tubing



Tubing Products Catalog and Price List

Effective September 4, 2012

watts.com



Electronic is Green!

**For the latest Watts pricing information in
electronic format, visit our Data Exchange at:**

www.wattswater.com/dataexchange

- Download product and list price data in .csv, .pdf, .tsv, .xls and .xml formats
- Easy access to list price data for business systems
- Sign up for e-mail alerts when data is updated
- Access other Watts Water Technologies brands pricing data

| | PAGE | | PAGE |
|--|----------|--|-----------|
| Terms and Conditions | 1 | Reel Tubing Program | 8 |
| Vinyl Tubing | 2 | Vinyl Tubing | 8 |
| Bulk Open Coil | 2 | Braided Vinyl Tubing | 8 |
| Coil in Cardboard Box | 3 | Tracer Hose | 8 |
| E-Z Dispenser Boxes | 4 | Polyethylene Tubing - Low Density | 9 |
| Dispenser Spools | 4 | Latex Tubing | 9 |
| Braided Reinforced Vinyl Tubing | 5 | Garden Hose | 9 |
| Bulk Open Coil | 5 | Air Hose | 9 |
| Coil in Cardboard Box | 5 | Spray Hose | 6 |
| E-Z Dispenser Boxes | 5 | Water Hose | 10 |
| Dispenser Spools | 5 | Heater Hose | 10 |
| Polyethylene Tubing - Low Density | 6 | Utility Hose | 10 |
| Bulk Open Coil | 6 | Polyurethane Micro Fuel Line | 10 |
| Cardboard Boxes | 6 | Fuel Line | 10 |
| E-Z Dispenser Boxes | 6 | Spa Flex Hose | 11 |
| Dispenser Spools | 6 | Pool & Spa Vacuum Hose | 11 |
| Water Hose | 7 | Pump & Bilge Discharge Hose | 11 |
| Bulk Open Coil | 7 | Flat Discharge Hose | 11 |
| | | Tubing Racks | 12 |
| | | Chemical Resistance Characteristics | 14 |
| | | Milky White Tubing..... | 14 |
| | | Clear Tubing | 15 |

Terms and Conditions

PL-Tubing

FREIGHT TERMS: All shipments are F.O.B. shipping point. Shipments from factory less than 1000 lbs. are F.O.B. factory. Factory shipments OF \$1200 and over within the continental U.S.A. will be prepaid and allowed when made at the lowest motor carrier transportation rate.

TERMS OF SALE: All sales are F.O.B. shipping point.

PAYMENT TERMS: The invoices are due and payable 30 days from the date of invoice. A 2% cash discount allowed on net amount of invoice if paid on or before the 10th of the following month. Invoices dated on or after the 25th will be considered as dated the first of the next month. Postmark on envelope will be considered date of check.

PURCHASE ORDER FORMS: Orders submitted on customer's own purchase order forms will be accepted only with the express understanding that no statements, clauses, or conditions contained in said order form will be binding on the Seller if they in any way modify the Seller's own terms and conditions of sales.

STOCKING WHOLESALE MINIMUM CHARGE: A minimum billing charge of \$100.00 applies to shipments F.O.B. factory. Orders must be in inner pack or master carton.

SPECIAL PRODUCTS: Orders for special or modified products are non-cancelable.

LIMITED WARRANTY: Watts Regulator Co. (the "Company") warrants each product to be free from defects in material and workmanship under normal usage for a period of one year from the date of original shipment. In the event of such defects within the warranty period, the Company will, at its option, replace or recondition the product without charge.

THE WARRANTY SET FORTH HEREIN IS GIVEN EXPRESSLY AND IS THE ONLY WARRANTY GIVEN BY THE COMPANY WITH RESPECT TO THE PRODUCT. THE COMPANY MAKES NO OTHER WARRANTIES, EXPRESS OR IMPLIED. THE COMPANY HEREBY SPECIFICALLY DISCLAIMS ALL OTHER WARRANTIES, EXPRESS OR IMPLIED, INCLUDING BUT NOT LIMITED TO THE IMPLIED WARRANTIES OF MERCHANTABILITY AND FITNESS FOR A PARTICULAR PURPOSE.

The remedy described in the first paragraph of this warranty shall constitute the sole and exclusive remedy for breach of warranty, and the Company shall not be responsible for any incidental, special or consequential damages, including without limitation, lost profits or the cost of repairing or replacing other property which is damaged if this product does not work properly, other costs resulting from labor charges, delays, vandalism, negligence, fouling caused by foreign material, damage from adverse water conditions, chemical, or any other circumstances over which the Company has no control. This warranty shall be invalidated by any abuse, misuse, misapplication, improper installation or improper maintenance or alteration of the product.

Some States do not allow limitations on how long an implied warranty lasts, and some States do not allow the exclusion or limitation of incidental or consequential damages. Therefore the above limitations may not apply to you. This Limited Warranty gives you specific legal rights, and you may have other rights that vary from State to State. You should consult applicable state laws to determine your rights. **SO FAR AS IS CONSISTENT WITH APPLICABLE STATE LAW, ANY IMPLIED WARRANTIES THAT MAY NOT BE DISCLAIMED, INCLUDING THE IMPLIED WARRANTIES OF MERCHANTABILITY AND FITNESS FOR A PARTICULAR PURPOSE, ARE LIMITED IN DURATION TO ONE YEAR FROM THE DATE OF ORIGINAL SHIPMENT.**

SERVICE POLICY: For inoperative products beyond the warranty period, we assume no liability for replacement of valves due to service conditions beyond our control.

RETURNED GOODS MINIMUM CHARGE: No material shall be returned without authorization. When credit is issued it will be at the price charged, or prevailing price if lower, less handling charges based on costs of reconditioning, boxing, etc. However, a minimum 15% handling charge will apply. A minimum handling charge of \$10.00 is applied whenever the 15% handling deduction does not total \$10.00. Products which are obsolete or made to special order are not returnable.

NOTE: Prices and terms are subject to change without notice and supersede all previous quotations. The right is reserved to change or modify product design or construction without prior notice and without incurring any obligation to make such changes and modifications on products previously or subsequently sold.



C000790

| MODEL | ORDERING CODE | COLOR | I.D. | O.D. | WALL | LENGTH FT/COIL | WORKING PRESSURE (psi @ 70°F) | QTY | WEIGHT EACH | LIST PRICE |
|-------|---------------|-------|------|------|------|----------------|-------------------------------|-----|-------------|------------|
|-------|---------------|-------|------|------|------|----------------|-------------------------------|-----|-------------|------------|

Bulk Open Coil

| | | | | | | | | | | |
|-----------|---------|-------|-------|--------|------|-----|----|---|------|---------|
| C1001 | C003141 | Clear | 1/16 | 1/8 | 1/32 | 500 | 55 | 1 | 2.4 | \$40.75 |
| C1003-500 | C000774 | Clear | 1/8 | 1/4 | 1/16 | 500 | 55 | 1 | 9.8 | 66.75 |
| C1004-500 | C000784 | Clear | 3/16 | 5/16 | 1/16 | 500 | 55 | 1 | 13.0 | 81.00 |
| C1004-1 | C003143 | Clear | 3/16 | 1/4 | 1/32 | 500 | 55 | 1 | 5.6 | 60.75 |
| C1005 | C003144 | Clear | 3/16 | 7/16 | 1/8 | 500 | 55 | 1 | 32.5 | 150.00 |
| C1006-500 | C000790 | Clear | 1/4 | 3/8 | 1/16 | 500 | 55 | 1 | 16.0 | 89.50 |
| C1008 | C003146 | Clear | 1/4 | 1/2 | 1/8 | 500 | 55 | 1 | 38.9 | 175.50 |
| C1010 | C003147 | Clear | 5/16 | 1/2 | 3/32 | 500 | 55 | 1 | 31.7 | 159.50 |
| C1010-1 | C003148 | Clear | 5/16 | 9/16 | 1/8 | 500 | 55 | 1 | 45.4 | 206.50 |
| C1011-500 | C001322 | Clear | 3/8 | 1/2 | 1/16 | 500 | 45 | 1 | 22.7 | 107.00 |
| C1012-500 | C000823 | Clear | 3/8 | 9/16 | 3/32 | 500 | 55 | 1 | 36.6 | 192.00 |
| C1013 | C003149 | Clear | 3/8 | 5/8 | 1/8 | 250 | 55 | 1 | 26.0 | 112.50 |
| C1014 | C003150 | Clear | 7/16 | 9/16 | 1/16 | 250 | 45 | 1 | 13.0 | 72.00 |
| C1015 | C003151 | Clear | 7/16 | 5/8 | 3/32 | 250 | 50 | 1 | 20.7 | 99.75 |
| C1015-1 | C003152 | Clear | 7/16 | 11/16 | 1/8 | 250 | 55 | 1 | 29.3 | 130.50 |
| C1016 | C003153 | Clear | 1/2 | 5/8 | 1/16 | 250 | 45 | 1 | 14.6 | 72.00 |
| C1017-250 | C001109 | Clear | 1/2 | 3/4 | 1/8 | 250 | 55 | 1 | 32.5 | 150.50 |
| C1018 | C003154 | Clear | 11/16 | 7/8 | 3/32 | 250 | 35 | 1 | 30.5 | 146.00 |
| C1019 | C003155 | Clear | 9/16 | 13/16 | 1/8 | 250 | 45 | 1 | 35.8 | 167.00 |
| C1019-1 | C003156 | Clear | 9/16 | 3/4 | 3/32 | 250 | 50 | 1 | 25.8 | 138.50 |
| C1020 | C003157 | Clear | 5/8 | 3/4 | 1/16 | 250 | 30 | 1 | 17.9 | 91.00 |
| C1021 | C003158 | Clear | 5/8 | 13/16 | 3/32 | 250 | 45 | 1 | 28.0 | 141.00 |
| C1022 | C003159 | Clear | 5/8 | 7/8 | 1/8 | 250 | 40 | 1 | 39.0 | 184.00 |
| C1023 | C003160 | Clear | 3/4 | 7/8 | 1/16 | 100 | 30 | 1 | 84.3 | 47.25 |
| C1024-100 | C001316 | Clear | 3/4 | 1 | 1/8 | 100 | 35 | 1 | 18.2 | 83.50 |
| C1026-100 | C001317 | Clear | 1 | 1 1/4 | 1/8 | 100 | 25 | 1 | 23.4 | 118.00 |
| C1026-1 | C003162 | Clear | 1 | 1 3/16 | 3/32 | 100 | 25 | 1 | 17.2 | 82.50 |
| C1027 | C000875 | Clear | 1 1/4 | 1 3/4 | 1/4 | 50 | 25 | 1 | 31.5 | 122.50 |
| C1027-1 | C000876 | Clear | 1 1/4 | 1 9/8 | 3/16 | 50 | 25 | 1 | 22.5 | 102.00 |
| C1028 | C001245 | Clear | 1 1/2 | 2 | 1/4 | 50 | 25 | 1 | 36.3 | 143.50 |
| C1029 | C000881 | Clear | 1 1/2 | 1 7/8 | 3/16 | 50 | 25 | 1 | 40.2 | 115.00 |

LEAD FREE*

*The wetted surface of this product contacted by consumable water contains less than 0.25% of lead by weight.



C000801

| MODEL | ORDERING CODE | COLOR | I.D. | O.D. | WALL | LENGTH FT/COIL | WORKING PRESSURE (psi @ 70°F) | QTY | WEIGHT EACH | LIST PRICE |
|-------|---------------|-------|------|------|------|----------------|-------------------------------|-----|-------------|------------|
|-------|---------------|-------|------|------|------|----------------|-------------------------------|-----|-------------|------------|

Coil Packaged in a Cardboard Box

| | | | | | | | | | | |
|----------|---------|-------|-------|--------|------|-----|----|---|------|---------|
| C1001A | C001142 | Clear | 1/16 | 1/8 | 1/32 | 500 | 55 | 1 | 3.4 | \$56.50 |
| C1002A | C000771 | Clear | 1/8 | 3/16 | 1/32 | 500 | 55 | 1 | 5.1 | 61.75 |
| C1003A | C000775 | Clear | 1/8 | 1/4 | 1/16 | 100 | 55 | 1 | 3.0 | 16.25 |
| C1004A | C000785 | Clear | 3/16 | 5/16 | 1/16 | 100 | 55 | 1 | 3.6 | 21.00 |
| C1004-1A | C000781 | Clear | 3/16 | 1/4 | 1/32 | 100 | 55 | 1 | 2.1 | 15.25 |
| C1005A | C000789 | Clear | 3/16 | 7/16 | 1/8 | 100 | 55 | 1 | 7.5 | 34.75 |
| C1006A | C000791 | Clear | 1/4 | 3/8 | 1/16 | 100 | 55 | 1 | 4.2 | 22.25 |
| C1007A | C000800 | Clear | 1/4 | 7/16 | 3/32 | 100 | 55 | 1 | 6.4 | 29.75 |
| C1008A | C000801 | Clear | 1/4 | 1/2 | 1/8 | 100 | 55 | 1 | 7.8 | 37.75 |
| C1009A | C000805 | Clear | 5/16 | 7/16 | 1/16 | 100 | 50 | 1 | 4.9 | 24.50 |
| C1010A | C000811 | Clear | 5/16 | 1/2 | 3/32 | 100 | 55 | 1 | 7.3 | 34.75 |
| C1010-1A | C000810 | Clear | 5/16 | 9/16 | 1/8 | 100 | 55 | 1 | 10.1 | 45.25 |
| C1011A | C000815 | Clear | 3/8 | 1/2 | 1/16 | 100 | 45 | 1 | 5.5 | 26.50 |
| C1012A | C000824 | Clear | 3/8 | 9/16 | 3/32 | 100 | 55 | 1 | 8.3 | 43.25 |
| C1013A | C000827 | Clear | 3/8 | 5/8 | 1/8 | 100 | 55 | 1 | 11.4 | 49.50 |
| C1014A | C000829 | Clear | 7/16 | 9/16 | 1/16 | 100 | 45 | 1 | 6.2 | 31.00 |
| C1015A | C000831 | Clear | 7/16 | 5/8 | 3/32 | 100 | 50 | 1 | 9.3 | 43.25 |
| C1015-1A | C000830 | Clear | 7/16 | 11/16 | 1/8 | 100 | 55 | 1 | 12.7 | 54.00 |
| C1016A | C000834 | Clear | 1/2 | 5/8 | 1/16 | 100 | 45 | 1 | 6.8 | 31.25 |
| C1016-1A | C000833 | Clear | 1/2 | 11/16 | 3/32 | 100 | 50 | 1 | 10.3 | 42.00 |
| C1017A | C000841 | Clear | 1/2 | 3/4 | 1/8 | 100 | 55 | 1 | 14.0 | 64.50 |
| C1018A | C003163 | Clear | 11/16 | 7/8 | 3/32 | 100 | 35 | 1 | 13.2 | 63.25 |
| C1019A | C003164 | Clear | 9/16 | 13/16 | 1/8 | 100 | 45 | 1 | 15.3 | 70.00 |
| C1019-1A | C000844 | Clear | 9/16 | 3/4 | 3/32 | 100 | 50 | 1 | 11.3 | 58.50 |
| C1020A | C000845 | Clear | 5/8 | 3/4 | 1/16 | 100 | 30 | 1 | 8.1 | 38.75 |
| C1021A | C000851 | Clear | 5/8 | 13/16 | 3/32 | 100 | 45 | 1 | 12.2 | 61.50 |
| C1022A | C000852 | Clear | 5/8 | 7/8 | 1/8 | 100 | 40 | 1 | 16.6 | 77.75 |
| C1023A | C000858 | Clear | 3/4 | 7/8 | 1/16 | 100 | 30 | 1 | 15.1 | 50.75 |
| C1023-1A | C000855 | Clear | 3/4 | 15/16 | 3/32 | 100 | 35 | 1 | 14.2 | 67.75 |
| C1024A | C000861 | Clear | 3/4 | 1 | 1/8 | 100 | 35 | 1 | 19.2 | 87.00 |
| C1025A | C001116 | Clear | 7/8 | 1 1/8 | 1/8 | 100 | 30 | 1 | 22.0 | 103.50 |
| C1026A | C000869 | Clear | 1 | 1 1/4 | 1/8 | 100 | 25 | 1 | 24.4 | 122.50 |
| C1026-1A | C000868 | Clear | 1 | 1 3/16 | 3/32 | 100 | 25 | 1 | 18.2 | 84.25 |

LEAD FREE*

*The wetted surface of this product contacted by consumable water contains less than 0.25% of lead by weight.



43132400

| MODEL | ORDERING CODE | COLOR | I.D. | O.D. | WALL | LENGTH FT/COIL | WORKING PRESSURE (psi @ 70°F) | QTY | WEIGHT EACH | LIST PRICE |
|-------|---------------|-------|------|------|------|----------------|-------------------------------|-----|-------------|------------|
|-------|---------------|-------|------|------|------|----------------|-------------------------------|-----|-------------|------------|

E-Z Dispenser Boxes

| | | | | | | | | | | | |
|------------|------|----------|-------|------|-------|------|-----|----|---|------|---------|
| LEAD FREE* | XVDC | 43132100 | Clear | 1/8 | 3/16 | 1/32 | 100 | 55 | 1 | 1.4 | \$14.25 |
| | XVEC | 43132200 | Clear | 1/8 | 1/4 | 1/16 | 100 | 55 | 1 | 3.1 | 18.50 |
| | XVFD | 43132300 | Clear | 3/16 | 5/16 | 1/16 | 100 | 55 | 1 | 3.2 | 21.00 |
| | XVGE | 43132400 | Clear | 1/4 | 3/8 | 1/16 | 100 | 55 | 1 | 3.9 | 24.25 |
| | XVHF | 43132500 | Clear | 5/16 | 7/16 | 1/16 | 100 | 50 | 1 | 5.2 | 27.00 |
| | XVIF | 43132600 | Clear | 5/16 | 1/2 | 3/32 | 100 | 55 | 1 | 7.1 | 39.25 |
| | XVIG | 43132640 | Clear | 3/8 | 1/2 | 1/16 | 100 | 45 | 1 | 5.5 | 29.50 |
| | XVJG | 43132641 | Clear | 3/8 | 9/16 | 3/32 | 100 | 55 | 1 | 11.0 | 48.50 |
| | XVKI | 43132700 | Clear | 1/2 | 5/8 | 1/16 | 100 | 45 | 1 | 6.4 | 38.25 |
| | XVLJ | 43132800 | Clear | 1/2 | 3/4 | 1/8 | 100 | 55 | 1 | 7.2 | 70.75 |
| | XVMK | 43132900 | Clear | 5/8 | 7/8 | 1/8 | 100 | 40 | 1 | 9.0 | 86.50 |
| | XVNL | 43132950 | Clear | 3/4 | 1 | 1/8 | 50 | 35 | 1 | 12.1 | 56.50 |
| | XVPN | 43132951 | Clear | 1 | 1 1/4 | 1/8 | 50 | 25 | 1 | 13.9 | 68.00 |



C000850

Dispenser Spools

| | | | | | | | | | | | |
|------------|-------------|---------|-------|------|-------|------|-----|----|---|------|-------|
| LEAD FREE* | C1002SC-300 | C001472 | Clear | 1/8 | 3/16 | 1/32 | 300 | 55 | 1 | 3.4 | 40.50 |
| | C1003SC-500 | C000779 | Clear | 1/8 | 1/4 | 1/16 | 500 | 55 | 1 | 10.8 | 88.75 |
| | C1004SC-300 | C001143 | Clear | 3/16 | 5/16 | 1/16 | 300 | 55 | 1 | 8.8 | 65.00 |
| | C1006SC-250 | C001459 | Clear | 1/4 | 3/8 | 1/16 | 250 | 55 | 1 | 9.0 | 59.50 |
| | C1009SC-275 | C000809 | Clear | 5/16 | 7/16 | 1/16 | 275 | 50 | 1 | 11.7 | 70.00 |
| | C1011SC-230 | C000821 | Clear | 3/8 | 1/2 | 1/16 | 230 | 45 | 1 | 11.4 | 64.00 |
| | C1016SC-100 | C001463 | Clear | 1/2 | 5/8 | 1/16 | 100 | 45 | 1 | 6.8 | 35.75 |
| | C1020SC-100 | C000850 | Clear | 5/8 | 3/4 | 1/16 | 100 | 30 | 1 | 8.1 | 42.50 |
| | C1024SC-50 | C001162 | Clear | 3/4 | 1 | 1/8 | 50 | 35 | 1 | 10.1 | 52.25 |
| | C1026SC-40 | C000874 | Clear | 1 | 1 1/4 | 1/8 | 40 | 25 | 1 | 10.4 | 50.50 |

*The wetted surface of this product contacted by consumable water contains less than 0.25% of lead by weight.

| MODEL | ORDERING CODE | COLOR | I.D. | O.D. | WALL | LENGTH FT/COIL | WORKING PRESSURE (psi @ 70°F) | QTY | WEIGHT EACH | LIST PRICE |
|-------|---------------|-------|------|------|------|----------------|-------------------------------|-----|-------------|------------|
|-------|---------------|-------|------|------|------|----------------|-------------------------------|-----|-------------|------------|

Bulk Open Coil



C000746

| | | | | | | | | | | | |
|------------|-----------|---------|-------|-------|-------|------|-----|-----|------|--------|---------|
| LEAD FREE* | B5000-300 | C001086 | Clear | 3/16 | 3/8 | 3/32 | 300 | 250 | 1 | 13.2 | \$92.75 |
| | B5001-300 | C000738 | Clear | 1/4 | 1/2 | 1/8 | 300 | 250 | 1 | 16.2 | 116.00 |
| | B5011-300 | C000767 | Clear | 5/16 | 17/32 | 7/64 | 300 | 225 | 1 | 23.1 | 127.50 |
| | B5002 | C000742 | Clear | 3/8 | 5/8 | 1/8 | 100 | 225 | 1 | 8.8 | 53.50 |
| | B5003 | C000746 | Clear | 1/2 | 3/4 | 1/8 | 100 | 200 | 1 | 12.9 | 62.25 |
| | B5004 | C000750 | Clear | 5/8 | 7/8 | 1/8 | 100 | 175 | 1 | 15.7 | 73.25 |
| | B5005 | C000753 | Clear | 3/4 | 1 | 1/8 | 100 | 150 | 1 | 20.7 | 83.25 |
| | B5006 | C000759 | Clear | 1 | 1 3/8 | 3/16 | 100 | 125 | 1 | 28.6 | 161.00 |
| | B5007 | C000761 | Clear | 1 1/4 | 1 3/4 | 1/4 | 50 | 100 | 1 | 22.4 | 156.00 |
| | B5008 | C000762 | Clear | 1 1/2 | 2 | 1/4 | 50 | 75 | 1 | 31.3 | 162.00 |
| B5009 | C000764 | Clear | 2 | 2 5/8 | 1/4 | 50 | 70 | 1 | 46.8 | 217.00 | |



C000745

Coil in Cardboard Box

| | | | | | | | | | | | |
|------------|--------|---------|-------|------|-------|------|-----|-----|---|------|--------|
| LEAD FREE* | B5000A | C003167 | Clear | 3/16 | 3/8 | 3/32 | 100 | 250 | 1 | 5.4 | 34.75 |
| | B5001A | C000739 | Clear | 1/4 | 1/2 | 1/8 | 100 | 250 | 1 | 6.4 | 44.00 |
| | B5011A | C003168 | Clear | 5/16 | 17/32 | 7/64 | 100 | 225 | 1 | 8.7 | 44.75 |
| | B5003A | C001137 | Clear | 1/2 | 3/4 | 1/8 | 100 | 200 | 1 | 13.9 | 66.00 |
| | B5004A | C003169 | Clear | 5/8 | 1/2 | 1/8 | 100 | 175 | 1 | 16.7 | 76.25 |
| | B5005A | C003170 | Clear | 3/4 | 1 | 1/8 | 100 | 150 | 1 | 21.7 | 86.75 |
| | B5006A | C001141 | Clear | 1 | 1 3/8 | 3/16 | 100 | 125 | 1 | 29.6 | 166.00 |



43133200

E-Z Dispenser Boxes

| | | | | | | | | | | | |
|------------|-------|----------|-------|-----|-------|------|-----|-----|---|------|-------|
| LEAD FREE* | XBVIE | 43133200 | Clear | 1/4 | 1/2 | 1/8 | 100 | 250 | 1 | 8.4 | 44.50 |
| | XBVKG | 43133400 | Clear | 3/8 | 5/8 | 1/8 | 100 | 225 | 1 | 11.5 | 61.00 |
| | XBVLJ | 43133600 | Clear | 1/2 | 3/4 | 1/8 | 100 | 200 | 1 | 14.0 | 73.75 |
| | XBVMK | 43133700 | Clear | 5/8 | 7/8 | 1/8 | 100 | 175 | 1 | 15.8 | 84.50 |
| | XBVNL | 43133850 | Clear | 3/4 | 1 | 1/8 | 50 | 150 | 1 | 20.0 | 51.00 |
| | XBVQN | 43133950 | Clear | 1 | 1 3/8 | 3/16 | 50 | 125 | 1 | 23.0 | 93.75 |

Dispenser Spools



C001136

| | | | | | | | | | | | |
|------------|-------------|---------|-------|-----|-----|-----|-----|-----|---|------|-------|
| LEAD FREE* | B5001SC-200 | C000741 | Clear | 1/4 | 1/2 | 1/8 | 200 | 250 | 1 | 11.8 | 84.25 |
| | B5002SC-150 | C001136 | Clear | 3/8 | 5/8 | 1/8 | 150 | 225 | 1 | 14.2 | 85.00 |
| | B5003SC-75 | C001138 | Clear | 1/2 | 3/4 | 1/8 | 100 | 200 | 1 | 13.9 | 68.75 |
| | B5004SC-75 | C001139 | Clear | 5/8 | 7/8 | 1/8 | 75 | 175 | 1 | 12.8 | 60.25 |

*The wetted surface of this product contacted by consumable water contains less than 0.25% of lead by weight.



C000954

| MODEL | ORDERING CODE | COLOR | I.D. | O.D. | WALL | LENGTH FT/COIL | WORKING PRESSURE (psi @ 70°F) | QTY | WEIGHT EACH | LIST PRICE |
|-------|---------------|-------|------|------|------|----------------|-------------------------------|-----|-------------|------------|
|-------|---------------|-------|------|------|------|----------------|-------------------------------|-----|-------------|------------|

Bulk Open Coils

| | | | | | | | | | | | |
|------------|-----------|---------|-------|------|------|------|-----|-----|---|------|---------|
| LEAD FREE* | P2001-500 | C001527 | White | 1/16 | 1/8 | 1/32 | 500 | 140 | 1 | 1.8 | \$40.50 |
| | P2003-500 | C000954 | White | .170 | 1/4 | .040 | 500 | 140 | 1 | 5.3 | 61.75 |
| | P2004 | C003176 | White | 1/8 | 1/4 | 1/16 | 500 | 130 | 1 | 7.4 | 64.75 |
| | P2005 | C003177 | White | 3/16 | 5/16 | 1/16 | 500 | 130 | 1 | 9.8 | 73.25 |
| | P2006-500 | C000980 | White | 1/4 | 3/8 | 1/16 | 500 | 120 | 1 | 12.2 | 101.50 |
| | P2007-500 | C000992 | White | 3/8 | 1/2 | 1/16 | 500 | 100 | 1 | 17.1 | 121.50 |
| | P2008 | C003178 | White | 1/2 | 5/8 | 1/16 | 250 | 85 | 1 | 11.0 | 68.00 |
| | P2009-250 | C001009 | White | 3/8 | 5/8 | 1/8 | 250 | 100 | 1 | 19.6 | 100.50 |
| | P2010-250 | C001346 | White | 5/8 | 3/4 | 1/16 | 250 | 60 | 1 | 13.4 | 103.50 |
| | P2011-250 | C001012 | White | 1/2 | 3/4 | 1/8 | 250 | 70 | 1 | 24.5 | 106.00 |
| | P2012 | C003179 | White | 3/4 | 7/8 | 1/16 | 100 | 60 | 1 | 6.4 | 45.00 |
| | P2013-100 | C001111 | White | 5/8 | 7/8 | 1/8 | 100 | 70 | 1 | 11.7 | 60.00 |

Cardboard Boxes



C000970

| | | | | | | | | | | | |
|------------|------------|---------|-------|-----|-----|------|-----|-----|---|-----|-------|
| LEAD FREE* | P2006A-100 | C001290 | White | 1/4 | 3/8 | 1/16 | 100 | 120 | 1 | 3.4 | 23.25 |
| | P2007A | C000994 | White | 3/8 | 1/2 | 1/16 | 100 | 100 | 1 | 4.4 | 26.50 |

E-Z Dispenser Boxes



43131300

| | | | | | | | | | | | |
|------------|------|----------|-------|------|------|------|-----|-----|---|-----|-------|
| LEAD FREE* | XPEB | 43131200 | White | .170 | 1/4 | .040 | 100 | 140 | 1 | 1.4 | 15.75 |
| | XPFD | 43131300 | White | 3/16 | 5/16 | 1/16 | 100 | 130 | 1 | 2.3 | 23.25 |
| | XPGE | 43131400 | White | 1/4 | 3/8 | 1/16 | 100 | 120 | 1 | 2.6 | 27.50 |
| | XPIG | 43131600 | White | 3/8 | 1/2 | 1/16 | 100 | 100 | 1 | 4.0 | 30.50 |
| | XPKI | 43131800 | White | 1/2 | 5/8 | 1/16 | 100 | 85 | 1 | 6.0 | 34.50 |

Dispenser Spools



C000965

| | | | | | | | | | | | |
|------------|-------------|---------|-------|------|------|------|-----|-----|---|------|--------|
| LEAD FREE* | P2003SC-500 | C000965 | White | .170 | 1/4 | .040 | 500 | 140 | 1 | 6.3 | 67.50 |
| | P2004SC-500 | C000972 | White | 1/8 | 1/4 | 1/16 | 500 | 130 | 1 | 8.4 | 82.00 |
| | P2005SC-500 | C000978 | White | 3/16 | 5/16 | 1/16 | 500 | 130 | 1 | 10.8 | 98.50 |
| | P2006SC-500 | C000988 | White | 1/4 | 3/8 | 1/16 | 500 | 120 | 1 | 13.2 | 120.00 |
| | P2007SC-500 | C001001 | White | 3/8 | 1/2 | 1/16 | 500 | 100 | 1 | 18.1 | 128.50 |

*The wetted surface of this product contacted by consumable water contains less than 0.25% of lead by weight.

| MODEL | ORDERING CODE | COLOR | I.D. | O.D. | WALL | LENGTH FT/COIL | WORKING PRESSURE (psi @ 70°F) | QTY | WEIGHT EACH | LIST PRICE |
|-------|---------------|-------|------|------|------|----------------|-------------------------------|-----|-------------|------------|
|-------|---------------|-------|------|------|------|----------------|-------------------------------|-----|-------------|------------|

Bulk Open Coils with Fittings

| | | | | | | | | | |
|----------------|---------|------|----------------------|-----|----|-----|---|------|---------|
| WC5004-50-BLU | C003188 | Blue | 5/8" ID X 3/4" M FGH | BLU | 50 | 200 | 1 | 11.5 | \$44.75 |
| WC5005-BLUE-50 | C001107 | Blue | 3/4" ID X 3/4" M FGH | BLU | 50 | 200 | 1 | 9.8 | 48.50 |



C001107



C001081



C003191



C003193

Bulk Open Coils without Fittings

| | | | | | | | | | |
|--------------|---------|------|--------------------|-----|-----|-----|---|------|-------|
| W5003-50-BLU | C003190 | Blue | WATER HOSE 1/2" ID | BLU | 50 | 200 | 1 | 8.6 | 34.00 |
| W5003-50-RED | C003192 | Red | WATER HOSE 1/2" ID | RED | 50 | 200 | 1 | 8.6 | 34.00 |
| W5004-50-BLU | C003194 | Blue | WATER HOSE 5/8" ID | BLU | 50 | 200 | 1 | 9.9 | 38.75 |
| W5004 | C001064 | Blue | WATER HOSE 5/8" ID | BLU | 100 | 200 | 1 | 19.9 | 77.25 |
| W5004R | C001067 | Red | WATER HOSE 5/8" ID | RED | 100 | 200 | 1 | 19.9 | 77.25 |
| W5005-50 | C001073 | Blue | WATER HOSE 3/4" ID | BLU | 50 | 200 | 1 | 9.9 | 43.50 |
| W5005 | C001070 | Blue | WATER HOSE 3/4" ID | BLU | 100 | 200 | 1 | 19.9 | 86.75 |
| W5005-50-RED | C003195 | Red | WATER HOSE 3/4" ID | RED | 50 | 200 | 1 | 9.9 | 43.50 |

*The wetted surface of this product contacted by consumable water contains less than 0.25% of lead by weight.

Reel Tubing is marked every foot with notch mark and UPC code

| MODEL | ORDERING CODE | COLOR | I.D. | O.D. | WALL | LENGTH FT/COIL | WORKING PRESSURE (psi @ 70°F) | QTY | WEIGHT EACH | LIST PRICE |
|-------|---------------|-------|------|------|------|----------------|-------------------------------|-----|-------------|------------|
|-------|---------------|-------|------|------|------|----------------|-------------------------------|-----|-------------|------------|

Vinyl Tubing



42166100



42197050



42174150



42178085

42178095

| | | | | | | | | | | | |
|------------|----------|----------|-------|-------|-------|------|-----|----|------|--------|---------|
| LEAD FREE* | RVDC | 42160041 | Clear | 1/8 | 3/16 | 1/32 | 400 | 55 | 1 | 5.6 | \$63.25 |
| | RVEC | 42161140 | Clear | 1/8 | 1/4 | 1/16 | 400 | 55 | 1 | 7.6 | 80.00 |
| | RVEB | 42160401 | Clear | .170 | 1/4 | .040 | 400 | 55 | 1 | 7.2 | 86.00 |
| | RVFD | 42161300 | Clear | 3/16 | 5/16 | 1/16 | 300 | 55 | 1 | 9.0 | 72.75 |
| | RVGE | 42162250 | Clear | 1/4 | 3/8 | 1/16 | 250 | 55 | 1 | 10.3 | 73.75 |
| | RVHF | 42163200 | Clear | 5/16 | 7/16 | 1/16 | 200 | 50 | 1 | 9.7 | 69.00 |
| | RVIF | 42165200 | Clear | 5/16 | 1/2 | 3/32 | 150 | 50 | 1 | 9.2 | 59.00 |
| | RVIG | 42164100 | Clear | 3/8 | 1/2 | 1/16 | 100 | 45 | 1 | 6.4 | 42.25 |
| | RVJG | 42164210 | Clear | 3/8 | 9/16 | 3/32 | 100 | 45 | 1 | 9.2 | 49.25 |
| | RVKI | 42166100 | Clear | 1/2 | 5/8 | 1/16 | 100 | 45 | 1 | 7.9 | 45.50 |
| | RVLJ | 42167210 | Clear | 1/2 | 3/4 | 1/8 | 75 | 55 | 1 | 11.4 | 58.50 |
| | RVLK | 42167100 | Clear | 5/8 | 3/4 | 1/16 | 100 | 30 | 1 | 7.0 | 50.00 |
| | RVMK | 42167310 | Clear | 5/8 | 7/8 | 1/8 | 100 | 40 | 1 | 9.4 | 88.75 |
| | RVNL | 42168075 | Clear | 3/4 | 1 | 1/8 | 75 | 35 | 1 | 17.3 | 87.00 |
| | RVPN | 42169150 | Clear | 1 | 1-1/4 | 1/8 | 100 | 25 | 1 | 29.7 | 131.00 |
| | RVSP | 42169160 | Clear | 1-1/4 | 1-5/8 | 3/16 | 50 | 25 | 1 | 25.4 | 124.00 |
| RVUR | 42169170 | Clear | 1-1/2 | 1-7/8 | 3/16 | 50 | 25 | 1 | 31.7 | 142.50 | |
| RVXV | 42169190 | Clear | 2 | 2-3/8 | 3/16 | 25 | 20 | 1 | 20.5 | 96.50 | |

| | | | | | | | | | | | |
|------------|-------|----------|-------|------|-----|------|-----|----|---|-----|--------|
| LEAD FREE* | RVDEB | 42160400 | Black | .170 | 1/4 | .040 | 500 | 55 | 1 | 8.2 | 107.50 |
| | RVBIG | 42169210 | Black | 3/8 | 1/2 | 1/16 | 100 | 45 | 1 | 6.2 | 42.25 |
| | RVBKI | 42169310 | Black | 1/2 | 5/8 | 1/16 | 100 | 45 | 1 | 7.2 | 45.25 |
| | RVBLK | 42169410 | Black | 5/8 | 3/4 | 1/16 | 100 | 30 | 1 | 9.0 | 50.25 |

Braided Vinyl Tubing

| | | | | | | | | | | | |
|------------|-------|----------|-------|-------|-------|------|-----|-----|---|------|--------|
| LEAD FREE* | RBVIE | 42172250 | Clear | 1/4 | 1/2 | 1/8 | 250 | 250 | 1 | 21.0 | 116.00 |
| | RBVKG | 42174150 | Clear | 3/8 | 5/8 | 1/8 | 150 | 225 | 1 | 17.0 | 94.75 |
| | RBVLI | 42176100 | Clear | 1/2 | 3/4 | 1/8 | 100 | 200 | 1 | 14.0 | 77.00 |
| | RBVMK | 42177075 | Clear | 5/8 | 7/8 | 1/8 | 75 | 175 | 1 | 12.0 | 70.25 |
| | RBVNL | 42178075 | Clear | 3/4 | 1 | 1/8 | 75 | 150 | 1 | 15.0 | 78.75 |
| | RBVQN | 42178150 | Clear | 1 | 1-1/8 | 3/16 | 50 | 125 | 1 | 17.0 | 98.50 |
| | RBVTP | 42178250 | Clear | 1-1/4 | 1-3/4 | 1/4 | 50 | 100 | 1 | 29.0 | 159.00 |
| | RBVVR | 42178350 | Clear | 1-1/2 | 2 | 1/4 | 50 | 75 | 1 | 31.0 | 183.50 |

Tracer Hose

| | | | | | | | | | | | |
|------------|-------|----------|------|-----|---|-----|----|-----|---|-----|--------|
| LEAD FREE* | RBVRL | 42178085 | Red | 3/4 | 1 | 1/8 | 75 | 150 | 1 | 9.0 | 148.00 |
| | RBVBL | 42178095 | Blue | 3/4 | 1 | 1/8 | 75 | 150 | 1 | 9.0 | 148.00 |

*The wetted surface of this product contacted by consumable water contains less than 0.25% of lead by weight.

Reel Tubing is marked every foot with notch mark and UPC code

| MODEL | ORDERING CODE | COLOR | I.D. | O.D. | WALL | LENGTH FT/COIL | WORKING PRESSURE (psi @ 70°F) | QTY | WEIGHT EACH | LIST PRICE |
|-------|---------------|-------|------|------|------|----------------|-------------------------------|-----|-------------|------------|
|-------|---------------|-------|------|------|------|----------------|-------------------------------|-----|-------------|------------|

Polyethylene Tubing - Low Density

| | | | | | | | | | | | |
|------------|------|----------|-------|------|---|------|-----|-----|---|-----|---------|
| LEAD FREE* | RPEB | 42152400 | White | .170 | ¼ | .040 | 400 | 140 | 1 | 7.6 | \$71.75 |
| | RPFD | 42153300 | White | ⅜ | ½ | ⅛ | 300 | 130 | 1 | 8.4 | 66.25 |
| | RPGE | 42154300 | White | ¼ | ⅜ | ⅛ | 300 | 120 | 1 | 9.0 | 82.25 |
| | RPIG | 42156200 | White | ⅜ | ½ | ⅛ | 200 | 100 | 1 | 9.3 | 59.50 |
| | RPKI | 42157100 | White | ½ | ⅝ | ⅛ | 100 | 85 | 1 | 7.5 | 42.50 |



42153300



42241050



42217150



42185100



4220100

Latex Tubing

| | | | | | | | | | | |
|------|----------|--|---|---|---|----|-----|---|-----|-------|
| RLGE | 42241050 | | ¼ | ⅜ | ⅛ | 50 | N/A | 1 | 1.1 | 63.25 |
|------|----------|--|---|---|---|----|-----|---|-----|-------|

Garden Hose

| | | | | | | | | | | |
|------|----------|-------|---|---|---|-----|-----|---|------|--------|
| RGMK | 42217150 | Green | ⅝ | ⅞ | ⅛ | 150 | 125 | 1 | 20.4 | 145.50 |
|------|----------|-------|---|---|---|-----|-----|---|------|--------|

Air Hose

| | | | | | | | | | | |
|------|----------|--------|---|---|---|-----|-----|---|------|-------|
| RALI | 42185100 | Orange | ½ | ¾ | ⅛ | 100 | 150 | 1 | 26.0 | 85.00 |
|------|----------|--------|---|---|---|-----|-----|---|------|-------|

Spray Hose

| | | | | | | | | | | |
|-------|----------|--------|---|---|---|-----|-----|---|------|-------|
| RSPKG | 42220100 | Yellow | ⅜ | ⅝ | ⅛ | 100 | 300 | 1 | 25.0 | 73.75 |
|-------|----------|--------|---|---|---|-----|-----|---|------|-------|

*The wetted surface of this product contacted by consumable water contains less than 0.25% of lead by weight.

Reel Tubing is marked every foot with notch mark and UPC code

| MODEL | ORDERING CODE | COLOR | I.D. | O.D. | WALL | LENGTH FT/COIL | WORKING PRESSURE (psi @ 70°F) | QTY | WEIGHT EACH | LIST PRICE |
|-------|---------------|-------|------|------|------|----------------|-------------------------------|-----|-------------|------------|
|-------|---------------|-------|------|------|------|----------------|-------------------------------|-----|-------------|------------|

Washer Hose

| | | | | | | | | | | | |
|------------|------|----------|-------|-----|-------|-----|----|-----|---|------|---------|
| LEAD FREE* | RWNK | 42197050 | Black | 5/8 | 1 | 1/8 | 50 | 200 | 1 | 8.0 | \$76.25 |
| | RWPM | 42198025 | Black | 7/8 | 1 1/4 | 1/8 | 25 | 125 | 1 | 11.2 | 51.50 |



42197050

Heater Hose

| | | | | | | | | | | |
|------|----------|-------|-----|-----|-----|-----|----|---|-----|--------|
| RHLK | 42327100 | Black | 5/8 | 3/4 | 1/8 | 100 | 80 | 1 | 9.8 | 147.50 |
| RHNL | 42328100 | Black | 3/4 | 1 | 1/8 | 75 | 80 | 1 | 8.0 | 137.00 |



42327100

Utility Hose

| | | | | | | | | | | |
|-------|----------|-----|-----|-------|------|-----|-----|---|------|--------|
| RUTLI | 42291100 | Red | 1/2 | 3/4 | 1/8 | 100 | 200 | 1 | 21.0 | 149.00 |
| RUTOL | 42293075 | Red | 3/4 | 1 1/8 | 3/16 | 75 | 200 | 1 | 24.0 | 160.50 |



42291100

Polyurethane Micro Fuel Line

| | | | | | | | | | | |
|------|----------|--|------|-----|------|-----|-----|---|-----|-------|
| RUFE | 42206150 | | 7/64 | 1/4 | .071 | 100 | 133 | 1 | 1.9 | 88.00 |
|------|----------|--|------|-----|------|-----|-----|---|-----|-------|



42206150

Fuel Line

| | | | | | | | | | | |
|------|----------|-------|------|-----|------|-----|-----|---|------|-------|
| RFKF | 42203100 | Black | 5/16 | 5/8 | .156 | 100 | 175 | 1 | 12.0 | 97.00 |
|------|----------|-------|------|-----|------|-----|-----|---|------|-------|



42203100

*The wetted surface of this product contacted by consumable water contains less than 0.25% of lead by weight.

Reel Tubing is marked every foot with notch mark and UPC code

| MODEL | ORDERING CODE | COLOR | I.D. | O.D. | WALL | LENGTH FT/COIL | WORKING PRESSURE (psi @ 70°F) | QTY | WEIGHT EACH | LIST PRICE |
|-------|---------------|-------|------|------|------|----------------|-------------------------------|-----|-------------|------------|
|-------|---------------|-------|------|------|------|----------------|-------------------------------|-----|-------------|------------|

Spa Flex Hose



42282050

| | | | | | | | | | | |
|------|----------|-------|-------|------|-----|-----|-----|---|------|----------|
| RSFI | 42280100 | White | 1/2 | .84 | 1/8 | 100 | 100 | 1 | 14.0 | \$151.50 |
| RSFL | 42281100 | White | 3/4 | 1.05 | 1/8 | 100 | 100 | 1 | 19.0 | 182.50 |
| RSFN | 42282050 | White | 1 | 1.31 | 1/8 | 50 | 100 | 1 | 15.0 | 105.50 |
| RSFP | 42284050 | White | 1 1/4 | 1.66 | 1/8 | 50 | 80 | 1 | 22.0 | 149.50 |
| RSFR | 42283050 | White | 1 1/2 | 1.90 | 1/8 | 50 | 65 | 1 | 28.0 | 150.00 |



42261050

Pool & Spa Vacuum Hose

| | | | | | | | | | | |
|------|----------|------|-------|------|------|----|-----|---|-----|--------|
| RPSP | 42260050 | Blue | 1 1/4 | 1.58 | .165 | 50 | n/a | 1 | 7.2 | 98.00 |
| RPSR | 42261050 | Blue | 1 1/2 | 1.81 | .155 | 50 | n/a | 1 | 9.2 | 137.00 |



42180795

Pump & Bilge Discharge Hose

| | | | | | | | | | | |
|------|----------|-------|-------|-------|-----|----|-----|---|------|--------|
| RBBO | 42180785 | White | 1 1/8 | 1 5/8 | 1/4 | 50 | n/a | 1 | 8.0 | 111.50 |
| RBBP | 42180795 | White | 1 1/4 | 1 3/4 | 1/4 | 50 | n/a | 1 | 9.0 | 120.50 |
| RBBR | 42180765 | White | 1 1/2 | 2 | 1/4 | 50 | n/a | 1 | 10.0 | 167.00 |

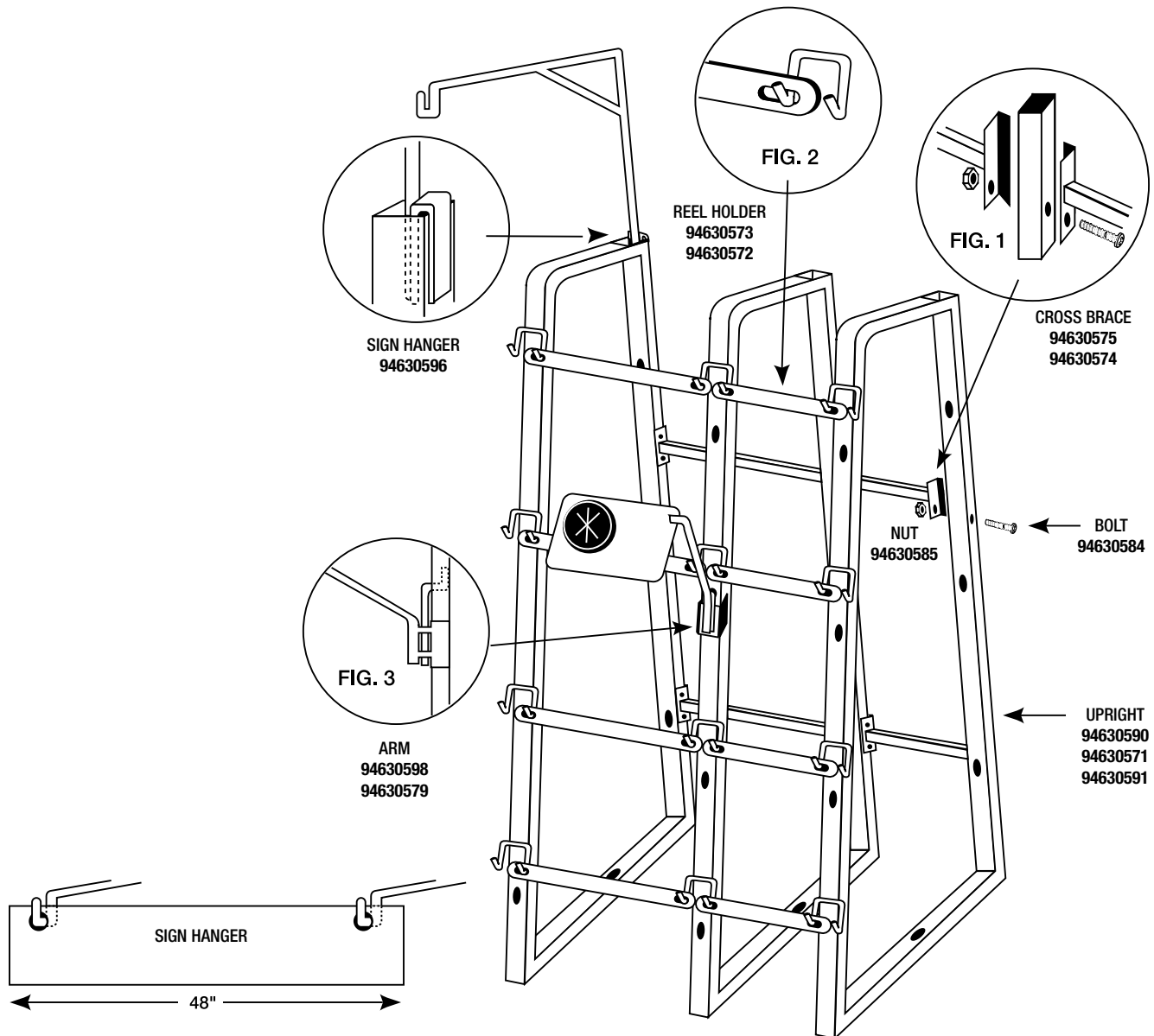


42252150

Flat Discharge Hose

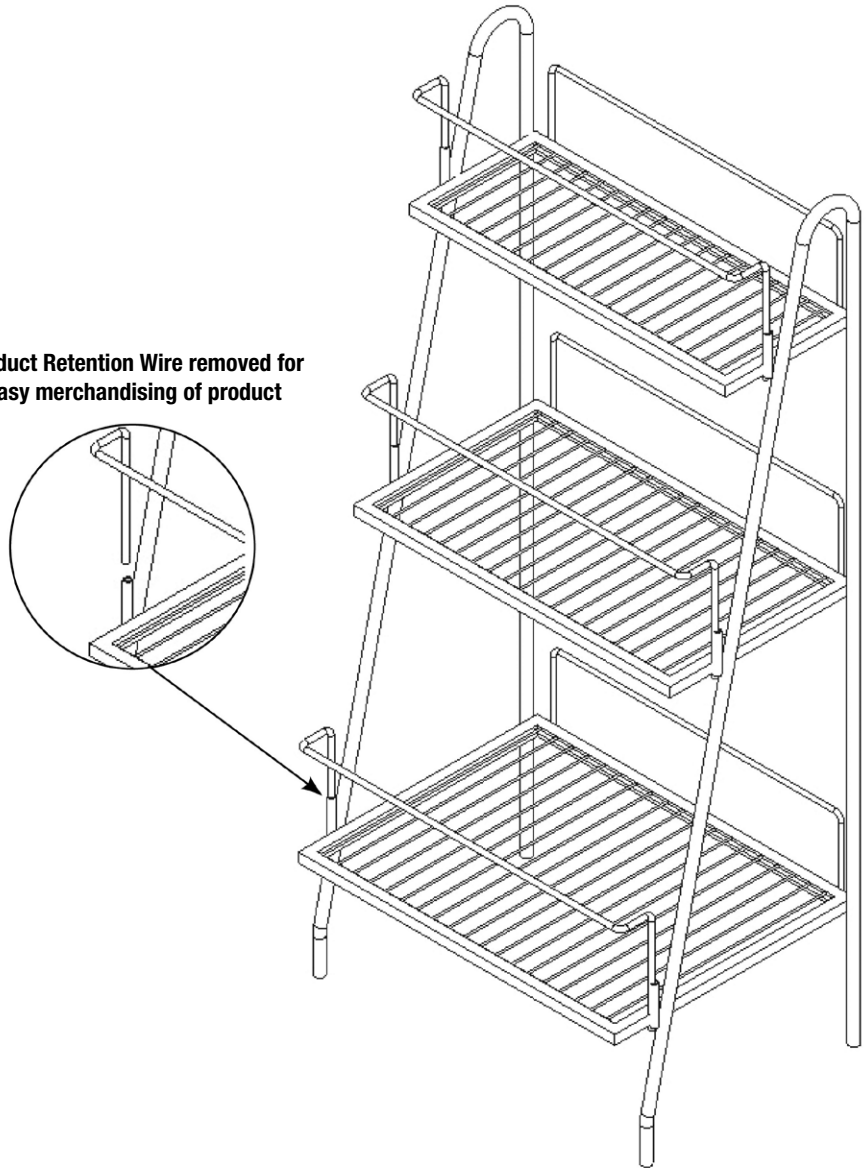
| | | | | | | | | | | |
|------|----------|------|-------|--|------|-----|----|---|------|--------|
| RCDR | 42252050 | Blue | 1 1/2 | | .051 | 150 | 70 | 1 | 22.5 | 190.00 |
| RCDV | 42252150 | Blue | 2 | | .053 | 150 | 65 | 1 | 30.0 | 182.50 |

| DESCRIPTION | ORDERING CODE | QTY | LIST PRICE |
|-------------------|---------------|-------|------------|
| UPRIGHT - 1 HK | 94630590 | 1 ea. | \$47.90 |
| UPRIGHT - 4 HK | 94630571 | 1 ea. | 88.65 |
| UPRIGHT- 7 HK | 94630591 | 1 ea. | 159.45 |
| CROSS BRACE - 8" | 94630575 | 1 ea. | 11.30 |
| CROSS BRACE - 13" | 94630574 | 1 ea. | 13.15 |
| REEL HOLDER - 8" | 94630573 | 1 ea. | 4.70 |
| REEL HOLDER - 13" | 94630572 | 1 ea. | 6.05 |
| LARGE ARM | 94630598 | 1 ea. | 17.75 |
| X- LARGE ARM | 94630579 | 1 ea. | 14.45 |
| SIGN HANGER | 94630596 | 1 ea. | 13.60 |
| ¼ - 20 X 2" BOLTS | 94630584 | 1 ea. | 0.20 |
| ¼ - 20 HEX NUTS | 94630585 | 1 ea. | 0.05 |
| LABELS FOR RACK | 94635003 | 1 ea. | 5.20 |



| DESCRIPTION | ORDERING CODE | QTY | LIST PRICE |
|-----------------|---------------|-------|------------|
| Tubing Box Rack | 94630546 | 1 ea. | \$502.10 |

**Product Retention Wire removed for
easy merchandising of product**



Chemical Resistance Characteristics Of Polyethylene (Milky White) Excellent Resistance

| | | | | |
|-------------------------------|-------------------------------|-----------------------------|--------------------------------------|----------------------------|
| Acetamide | Calcium Hypochloride | Formaldehyde (40%) | Oxalic Acid (Sat.) | Sodium Benzoate (35%) |
| Acetic Acid (100%) | Calcium Nitrate (50%) | Formic Acid (100%) | Palmitic Acid | Sodium Bicarbonate (Sat.) |
| Acrylic Emulsions | Calcium Sulfate | Fructose (Sat.) | Perchloric Acid (10%) | Sodium Bisulfate (Sat.) |
| Adipic Acid | Carbozole | Fruit Pulp | Phenol (50%) | Sodium Bisulfite (Sat.) |
| Alanine | Carbon Dioxide Wet/Dry (100%) | Gallic Acid (Sat.) | Phosphorous Pentoside (100%) | Sodium Bromide (Conc.) |
| Allyl Alcohol | Carbone Monoxide | Gin | Phosphorous Trichloride (100%) | Sodium Carbonate |
| Aluminum Chloride (Cons.) | Carbonic Acid | Glucose | Photographic Solutions | Sodium Chlorate (Sat.) |
| Aluminum Fluoride (Conc.) | Castor Oil | Glycerine | Pickling Baths: | Sodium Chloride (Sat.) |
| Aluminum Hydroxide | Cellosolve Acetate | Glycols | Sulfuric Acid, Hydrochloric Acid | Sodium Cyanide |
| Aluminum Sulfate (Conc.) | Ceslum Salts | Glycolic Acid (30%) | Sulfuric-Nitric | Sodium Dichromate (Sat.) |
| Alums (All Types Conc.) | Chloride Water (Sat.) | Grape Sugar (Sat.) | Picric Acid (1%) | Sodium Ferricyanide (Sat.) |
| Amino Acids | Chromic Acid (50%) | Hydrobromic Acid (50%) | Plating Solutions: | Sodium Ferrocyanide (Sat.) |
| Ammonia Dry Gas (100%) | Chrome Alum (Sat.) | Hydrochloric Acid (40%) | Brass, Cadmium, Chromium, Copper | Sodium Fluoride (Sat.) |
| Ammonium Acetate (Sat.) | Cider | Hydrocyanic Acid (Sat.) | Gold, Indium, Lead, Nickel, Rhodium | Sodium Hexametaphosphate |
| Ammonium Carbonate | Citric Acid | Hydrofluoric Acid (60%) | Silver, Tin, Zinc | Sodium Hydroxide |
| Ammonium Chloride (Sat.) | Coconut Oil | Hydrogen (100%) | Potassium Bicarbonate (Sat.) | Sodium Hypochlorite |
| Ammonium Fluoride (Sat.) | Cottonseed Oil | Hydrogen Chloride Gas (Dry) | Potassium Borate (1%) | Sodium Nitrate |
| Ammonium Hydroxide (Conc.) | Cupric Chloride (Sat.) | Hydrogen Peroxide (30%) | Potassium Bromate (10%) | Sodium Sulfate |
| Ammonium Metaphosphate (Sat.) | Cupric Cyanide (Sat.) | Hydrogen Phosphide (100%) | Potassium Bromide (Sat.) | Sodium Sulfide (Sat.) |
| Ammonium Nitrate (Sat.) | Cupric Fluoride (Sat.) | Hydroquinone | Potassium Carbonate | Sodium Sulfite |
| Ammonium Oxalate | Cupric Nitrate (Sat.) | Hydrogen Sulfide | Potassium Chlorate (Sat.) | Sour Crude |
| Ammonium Sulfate (Sat.) | Cupric Sulfate | Hypochlorous Acid (Conc.) | Potassium Chloride (Sat.) | Stannous Chloride (Sat.) |
| Ammonium Sulfide (Sat.) | Cuprous Chloride (Sat.) | Inks | Potassium Chromate (40%) | Stannic Chloride (Sat.) |
| Aniline | Cyclohexane | Isopropyl Acetate | Potassium Dichromate (Sat.) | Starch Solution (Sat.) |
| Antimony Salts | Detergents, Synthetic | Isopropyl Alcohol | Potassium Cyanide (Sat.) | Stearic Acid (100%) |
| Arsenic Acid (80%) | Developers, Photographic | Lactic Acid | Potassium Ferri/Ferro Cyanide (Sat.) | Sulfur |
| Arsenic Salts | DeXtrin | Latex | Potassium Fluoride | Sulfuric Acid To 70% |
| Barium Carbonate (Sat.) | Dextrose | Lead Salts | Potassium Hydroxide | Sulfur Dioxide |
| Barium Chloride (Sat.) | Diethyl Ketone | Lithium Salts | Potassium Nitrate (Sat.) | Sulfur Salts |
| Barium Hydroxide | Dimethyl Formamide | Magnesium Carbonate (Sat.) | Potassium Perborate (Sat.) | Sulfurous Acid |
| Sulfate (Sat.) | Dimethyl Sulfoxide | Magnesium Chloride (Sat.) | Potassium Perchlorate (10%) | Tallow |
| Barium Sulfide (Sat.) | Dipropylene Glycol | Magnesium Hydroxide (Sat.) | Potassium Permanganate (20%) | Tannic Acid (Conc.) |
| Beer | Disodium Phosphate | Magnesium Nitrate (Sat.) | Potassium Sulfate (Conc.) | Tartaric Acid (Sat.) |
| Benzenesulfonic Acid (10%) | Diazo Salts | Malic Acid (10%) | Potassium Sulfide (Conc.) | Triethylene Glycol |
| Benzoic Acid (Sat.) | Emulsions, Photographic | Mercuric Chloride (Sat.) | Potassium Sulfite (Conc.) | Tripropylene Glycol |
| Benzyl Acetate | Ethyl Acetate (100%) | Mercuric Cyanide (Sat.) | Potassium Persulfate (Sat.) | Trisodium Phosphate |
| Bismuth Salts | Ethyl Alcohol (100%) | Mercurous Nitrate (Sat.) | Propargyl Alcohol | Turkey Red Oil |
| Bleach Lye (10%) | Ethyl Benzoate | Mercury | Propyl Alcohol | Undacyl Alcohol |
| Boric Acid | Ethyl Cyanoacetate | Methyl Alcohol (100%) | Propylene Glycol | Urea |
| Boron Salts | Ethyl Lactate | Methyl Isobutyl Ketone | Resorcinol | Urine |
| Brine | Ethylene Glycol | Methyl Propyl Ketone | Salicylaldehyde | Vinegar |
| N-Butyl Acetate (100%) | Fatty Acids | Methyl Sulfuric Acid | Salicylic Acid | Vanilla Extract |
| N-Butyl Alcohol (100%) | Ferric Chloride (Sat.) | Milk | Salt Solutions | Wetting Agents |
| Iso-Butyl Alcohol (100%) | Ferric Nitrate (Sat.) | Molasses | Sea Water | Whiskey |
| Butanediol | Ferrous Chloride (Sat.) | Nickel Chloride (Sat.) | Selinic Acid | Wines |
| Cadmium Salts | Ferrous Sulphate | Nickel Nitrate (Conc.) | Shortening | Yeast |
| Calcium Hydroxide | Fish Solubles | Nickel Sulfate (Sat.) | Silver Acetate | Zinc Chloride (Sat.) |
| Calcium Bisulfide | Fluoboric Acid | Nicotine (Dilute) | Silver Nitrate | Zinc Stearate |
| Calcium Carbonate (Sat.) | Fluosilicic Acid (Conc.) | Nicotinic Acid (55%) | Silver Salts | Zinc Sulfate (Sat.) |
| Calcium Chlorate (Sat.) | Fluorides | N-Octane | Soap Solution | |
| Calcium Chloride (Sat.) | Freon 12 | Orange Extract | Sodium Acetate (Sat.) | |

Fair To Good Resistance

| | | | | |
|--------------------------|---------------------|------------------|----------------------------|----------------------|
| Acetaldehyde | Chlorine Gas (100%) | Fluorine | Methyl Ethyl Ketone (100%) | Ozone |
| Acetone | Chloroform (100%) | Fuel Oil | Methylene Chloride (100%) | Petroleum Ether |
| Ammonia Liquid | Cyclohexanone | Furfural (100%) | Mineral Oils | Propylene Dichloride |
| Amyl Acetate (100%) | Decalin | Furfural Alcohol | Naphtha | Sulfuric Acid (80%) |
| Benzene | Diocetylphthalate | Heptane | Naphthalene | Tetrahydrofuran |
| Bromine Water | Ethyl Bromide | Iodine | Nitric Acid (70%) | Transformer Oil |
| Camphor Oil | Ethyl Chloride | Linseed Oil | Oils And Fats | Trichloroethylene |
| Chloroacetic Acid (100%) | Ethylene Oxide | Methyl Bromide | Oleic Acid | |

Poor Resistance

| | | | | |
|----------------------|----------------------|-------------------|-------------------------|---------------------|
| Amyl Chloride (100%) | Carbon Disulfide | O-Dichlorobenzene | Hexane | Thionyl Chloride |
| Aqua Regia | Carbon Tetrachloride | P-Dichlorobenzene | Nitrobenzene (100%) | Trichloroethane |
| Benzaldehyde | Cedarwood Oil | Diethyl Benzene | Lube Oil | Trichloroethylene |
| Benzyl Alcohol | Chlorine Liquid | Ether | Perchloric Acid | Vinylidene Chloride |
| Bromine Gas/Liquid | Chlorobenzene | Ethyl Benzene | Perchloroethylene | |
| Bromobenzene | Chlorosulfonic Acid | Ethyl Butyrate | Sulfur Dioxide (40 Psi) | |
| Butadiene | Cinnamon Oil | Ethyl Chloride | Sulfuric Acid (96%) | |
| Butyric Acid | Cresol | Ethylene Chloride | Sulfuric Acid, Fuming | |

Chemical Resistance Characteristics Of Vinyl Or Pvc (Clear Tubing) Excellent Resistance

| | | |
|-----------------------|--------------------------|-----------------------|
| Acetic Acid | Essential Oils | Oil |
| Air | Ethyl Alcohol | Oxalic Acid |
| Alcohols | Ethyl Chloride | Oxygen |
| Aluminum Chloride | Ethylene Glycol | Palmitic Acid |
| Aluminum Sulphate | Fatty Acid | Picric Acid |
| Alums | Ferric Chloride | Phosphoric Acid |
| Ammonia Gas | Ferric Sulphate | Potassium Chloride |
| Ammonium Chloride | Flouboric Acid | Potassium Sulphate |
| Ammonium Nitrate | Fluosilicic Acid | Propane |
| Ammonium Phosphate | Formic Acid | Pyrethrum |
| Ammonium Sulphate | Formaldehyde | Sodium Bisulfite |
| Amyl Alcohol | Freon | Sodium Bicarbonate |
| Animal Oils | Gallic Acid | Sodium Borate |
| Antimony Salts | Gas (Natural) | Sodium Carbonate |
| Arsenic Salts | Gasoline (Non-Aromatic) | Sodium Chloride |
| Barium Salts | Gelatin | Sodium Cyanide |
| Basic Copper Arsenate | Glue (Depending On Type) | Sodium Hydroxide |
| Beer | Glucose | Sodium Hypochlorite |
| Benzoic Acid | Glycerine | Sodium Nitrate |
| Benzyl Alcohol | Hydrochloric Acid | Sodium Phosphate |
| Boric Acid | Hydrocyanic Acid | Sodium Silicate |
| Boric Copper Sulphate | Hydrofluoric Acid | Sodium Sulphide |
| Bordeaux Mixture | Hydraulic Oil | Sodium Sulphate |
| Butanol | Hydrogen Gas | Sodium Thiosulphate |
| Butter | Hydrogen Peroxide (Dil.) | Stearic Acid |
| Calcium Hydroxide | Hydrogen Sulphide | Stannous Chloride |
| Calcium Hypochlorite | Lactic Acid | Sulphur Dioxide |
| Calcium Salts | Lard | Sulphuric Acid (Dil.) |
| Carbolic Acid | Lead Arsenate | Sulphurous Acid |
| Carbon Monoxide | Lead Sulphate | Tannic Acid |
| Corn Oil | LimE | Tartaric Acid |
| Cottonseed Oil | Linseed Oil | Tar Oil |
| Caustic Potash (-20%) | Magnesium Chloride | Trupentine |
| Caustic Soda (-20%) | Magnesium Hydroxide | Urea |
| Chloroform | Magnesium Sulphate | Uric Acid |
| Chromic Acid | Maleic Acid | Vinegar |
| Chlorine (Dry) | Milk | Water |
| Chlorine (Water) | Mineral Oil | Whiskey |
| Chromium Salts | Molasses | Wine |
| Copper Chloride | Nickel Chloride | Wool Oil |
| Copper Sulphate | Nicotine | Zinc Chloride |
| Citric Acid | Nitric Acid 20% | Zinc Hydrate |
| Cresylic Acid | Nitrogen Oxide | Zinc Sulphate |
| Cupric Sulphate | Nitrous Acid | |

Fair To Good Resistance

| | | |
|-----------------------|---------------------------|------------------------|
| Aniline | Caustic Soda (+20%) | Pentane |
| Benzine | Chlordane | Perchloric Acid |
| Benzol | Creosote | Perchloroethylene |
| Borax | Ether | Phenolates |
| Butane | Gasoline (Aromatic) | Phenols |
| Bromine | Hydrogen Peroxide (Conc.) | Stoddard Solvent |
| Calcium Bisulphide | Kerosene | Sulphuric Acid (Conc.) |
| Calcium Chloride | Mercuric Chloride | Trichloroethylene |
| Carbon Tetrachloride | Oleic Acid | Trichloroacetic Acid |
| Caustic Potash (+20%) | | |

Poor Resistance

| | | |
|-----------------------|-------------------------|------------------|
| Acetic Anhydride | Chloroacetic Acid | Lacquer Solvents |
| Acetone | Cresols | Naphtha |
| Acetyl Bromide | Cyclohexanone | Nitrobenzene |
| Acetyl Chloride | Ethyl Acetate | Paint Solvents |
| Ammonium Hydroxide | Ethylene Dischloride | Pyridine |
| Amyl Acetate | Fuel Oil (Aromatic Gas) | Toluene |
| Aromatic Hydrocarbons | Fuel Oil (Aromatic Gas) | Toluol |
| Butyl Acetate | Isopropyl Acetate | Xylol |
| Carbon Bisulfide | Ketones | Xylene |

The above table and recommendations are accurate to the best of our knowledge. No guarantees are expressed or implied.

For Technical Assistance Call Your Authorized Watts Brass & Tubular Representative.

| | | | Telephone | E-mail |
|----------------------|--|---|-------------------|--------------------------------|
| | HEADQUARTERS: Watts Brass & Tubular | 815 Chestnut St., North Andover, MA 01845-6098 U.S.A. | 978 688-1811 | watts@wattswater.com |
| North East | Associated Marketing, Inc. | 11500 Roosevelt Blvd., Building G-1, Philadelphia, PA 19116 | 215 677-6870 | j0p6@watts.com |
| | Edwards, Platt & Deely, Inc. | 368 Wyandanch Ave., North Babylon, NY 11703 | 631 253-0600 | p073@watts.com |
| | Fairway Marketing | 240 Emerson Drive, Lafayette Hill, PA 19444-1346 | 610 825-6060 | leonardkurtz@gmail.com |
| | W. P. Haney Company, Inc. | 51 Norfolk Ave., South Easton, MA 02375 | 508 238-2030 | p088@watts.com |
| Mid Atlantic | Disney McLane & Associates | 428 McGregor Ave., Cincinnati, OH 45206 | 800 542-1682 | p017@watts.com |
| | J. B. O'Connor Company, Inc. | P.O. Box 12927, Pittsburgh, PA 15241 | 724 745-5300 | p047@watts.com |
| | RMI | 2533 Mechanicsville Tpk., Richmond, VA 23223 | 804 643-7355 | rmi@ricmrk.com |
| | WMS Sales, Inc. (Main office) | 9580 County Rd., Clarence Center, NY 14032 | 716 741-9575 | p091@watts.com |
| South East | Billingsley & Associates, Inc | 2728 Crestview Ave., Kenner, LA 70062-4829 | 504 602-8100 | p013@watts.com |
| | GTS Sales | 12428 Angel Oak Drive, Huntersville, NC 28078 | 704 274-5626 | sales@gtssales.biz |
| | Mid-America Marketing, Inc. | 203 Industrial Drive, Birmingham, AL 35211 | 205 879-3469 | p032@watts.com |
| | Mid-America Marketing, Inc. | 2611 Grandview Avenue, Nashville, TN 37211 | 615 259-9944 | john@midamericamktg.com |
| | Mid-America Marketing, Inc. | 5466 Old Hwy. 78, Memphis, TN 38118 | 901 795-0045 | sales@midamericamktg.com |
| | Harry Warren, Inc. | 1400 North Orange Blossom Trail, Orlando, FL 32804 | 407 841-9237 | p071@watts.com |
| | Harry Warren, Inc. | 2861-B Bankers Industrial Drive, Suite B, Atlanta, GA 30360 | 770 209-3310 | p059@watts.com |
| North Central | Dave Watson Associates | 1325 West Beecher, Adrian, MI 49221 | 517 263-8988 | p085@watts.com |
| | Mid-Continent Marketing Services Ltd. | 1275 Lakeside Drive, Romeoville, IL 60446 | 630 953-1211 | p072@watts.com |
| | Soderholm & Associates, Inc. | 7150 143rd Ave. N.W., Anoka, MN 55303 | 763 427-9635 | company@soderholmrep.com |
| | Soderholm & Associates, Inc. | W140 N5086 Lilly Road, Menomonee Falls, WI 53051 | 763 427-9635 | company@soderholmrep.com |
| South Central | Hugh M. Cunningham, Inc. | 13755 Benchmark, Dallas, TX 75234 | 972 888-3808 | p031@watts.com |
| | Mack McClain & Associates, Inc. | 4407 Meramec Bottom, Suite G, St. Louis, MO 63129 | 314 894-8188 | p045@watts.com |
| | Mack McClain & Associates, Inc. | 1045 76th St., Suite 1000, West Des Moines, IA 50266 | 515 288-0184 | p049@watts.com |
| | Mack McClain & Associates, Inc. | 15090 West 116th St., Olathe, KS 66062 | 913 339-6677 | p083@watts.com |
| | OK! Sales, Inc. | 214 NE 12th. St., Ste A, Moore, OK 73160 | 405 794-5200 | oksales@coxinet.net |
| | Sandia Group, Inc. | 6248 Edgemere #698, El Paso, TX 79925 | 800-339-0191 | p031@watts.com |
| | Sandia Group, Inc. | 3167 San Mateo #308, Albuquerque, NM 87110 | 800-339-0191 | p031@watts.com |
| Western | Delco Sales, Inc. | 1930 Raymer Ave., Fullerton, CA 92833 | 714 888-2444 | sales@delcosales.com |
| | Delco Sales, Inc. | 111 Sand Island Access Rd., Unit I-4, Honolulu, HI 96819 | 808 842-7900 | p021@watts.com |
| | Fanning & Associates, Inc. | 6765 Franklin St., Denver, CO 80229-7111 | 303 289-4191 | sales@fanningandassociates.com |
| | Hollabaugh Brothers & Associates | 6915 South 194th St., Kent, WA 98032 | 253 867-5040 | p001@watts.com |
| | Hollabaugh Brothers & Associates | 3028 S.E. 17th Ave., Portland, OR 97202 | 503 238-0313 | p006@watts.com |
| | P I R Sales, Inc. | 3050 North San Marcos Place, Chandler, AZ 85225 | 480 892-6000 | sales@pirsales.com |
| | R. E. Fitzpatrick Sales, Inc. | 4109 West Nike Dr., West Jordan, UT 84088 | 801 282-0700 | p007@watts.com |
| REPCOR | 2455 Mercantile Dr. Ste. 100, Rancho Cordova, CA 95742 | 916 386-2233 | sales@repcor1.com | |
| 1231 | Reliable Sales Agency, Inc. | El Comandante Ind. Pk., Edif. #2 Sur, Ave. San Marcos, Carolina, PR 00982 | 787 752-6690 | reliablesales41@gmail.com |



A Watts Water Technologies Company



USA: Tel: (978) 688-1811 • Fax: (978) 794-1848 • www.watts.com
 Canada: Tel: (905) 332-4090 • Fax: (905) 332-7068 • www.watts.ca